

**PALFINGER**  **SANY**  
**CRANES.SERVICES**



**Cummins Stage V Engine**

**SCE 800TB**

**Sanycranes.Services**

## Kenmerken

<b>Full Power Boom</b>	: Snel bedrijfsklaar
<b>GVW</b>	: Transportvriendelijk
<b>Capaciteit</b>	: 80 ton op 3 meter
<b>Ventilatie</b>	: Airconditioning en kachel
<b>Kantelcabine</b>	: Goed zicht op werkzaamheden, fijne werkhouding
<b>Reeptrek</b>	: 8 ton; minder inscheringen / kleiner hijsblok

## Europese Componenten

Motor	: Cummins stage V; verplicht vanaf 2021
Lier	: Brevini componenten
Liermotor	: Rexroth
Ventielen	: Rexroth
Zwenkmotor	: Rexroth
Hoofdpomp	: Sauer
Rijmotor	: O&K

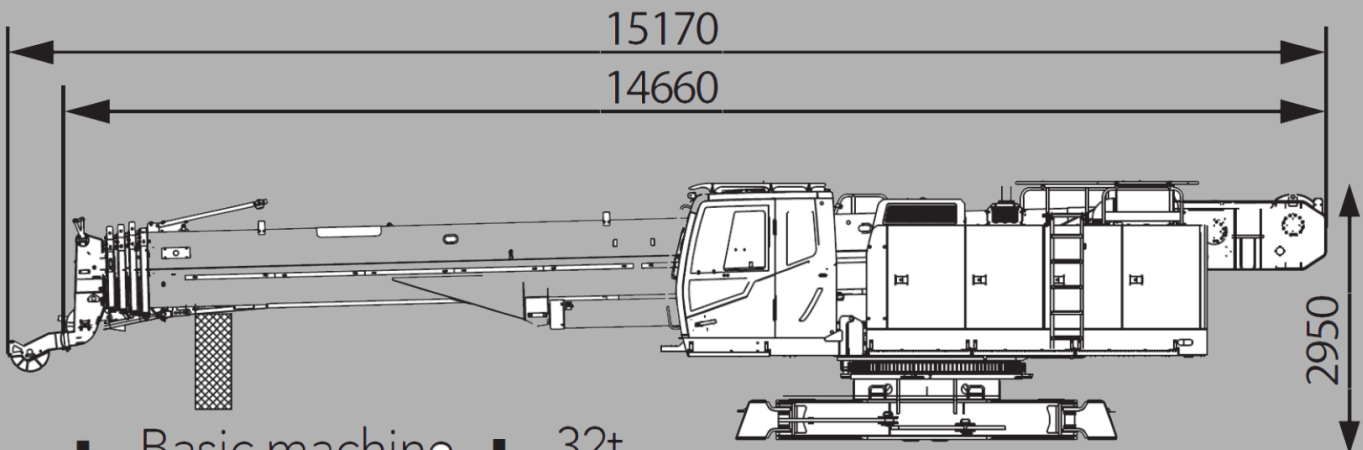
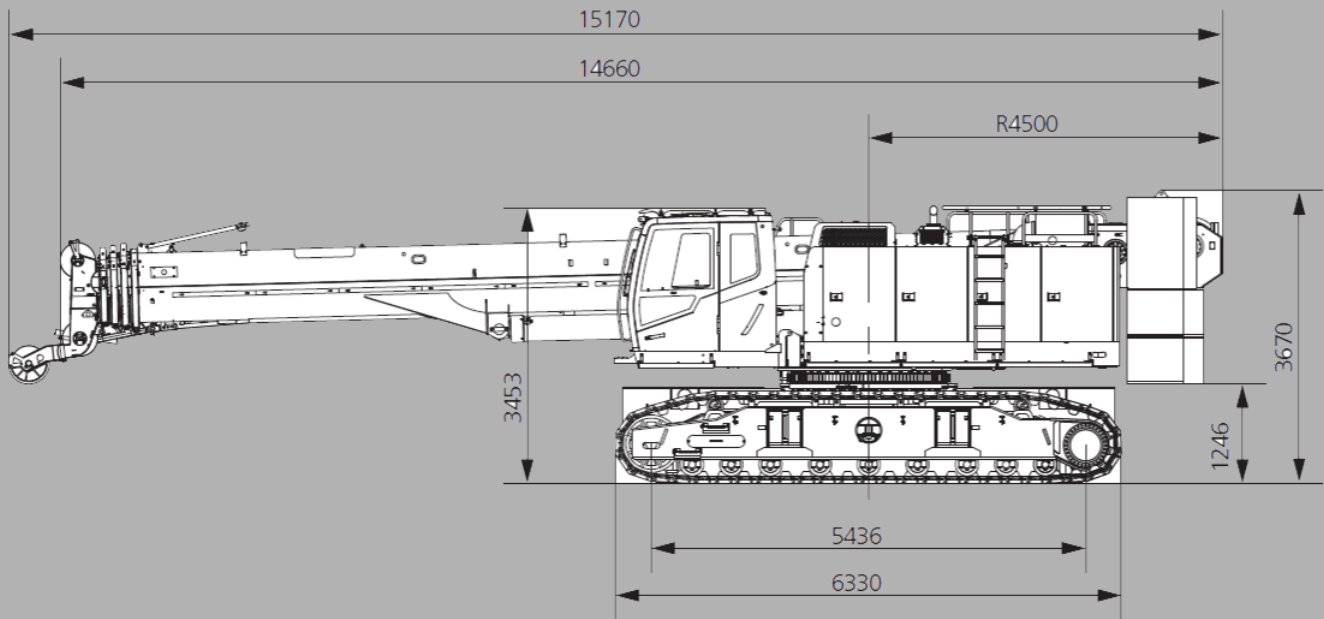
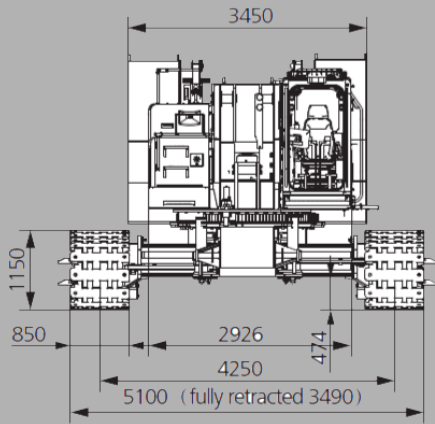
**Service:** Onderdelen vanuit Sassenheim,  
4 servicepunten gerealiseerd in Nederland.

EN 13000 



# Telescopic Boom Crawler Crane

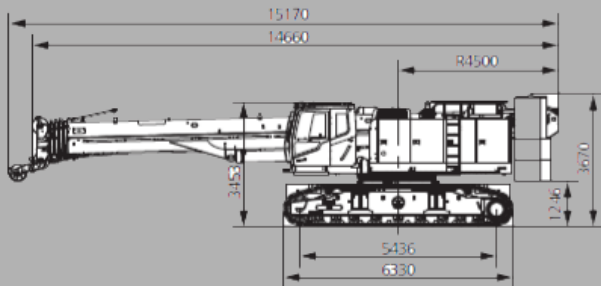
## SCE800TB



▪ Basic machine ▪ 32t

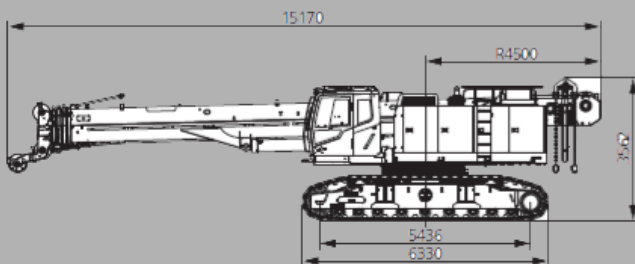
## PALFINGER SANY Technische gegevens

\*Wijzigingen onder voorbehoud



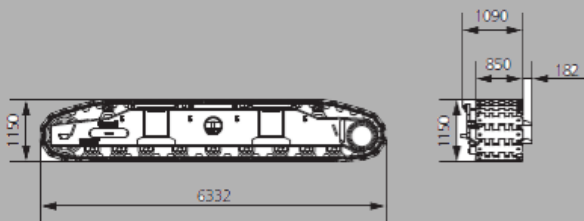
### Whole machine ×1

Length (L)	15.17m
Width (W)	3.49m
Height (H)	3.67m
Weight	86t



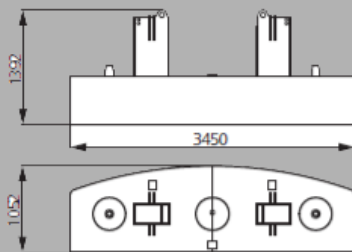
### Basic Machine (with jib) ×1

Length (L)	15.17m
Width (W)	3.49m
Height (H)	3.56m
Weight	54t



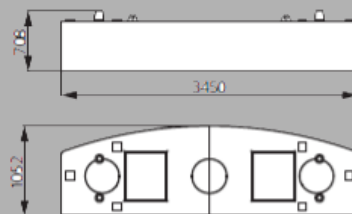
### Track Frame ×2

Length (L)	6.33m
Width (W)	1.09m
Height (H)	1.15m
Weight	9.0t



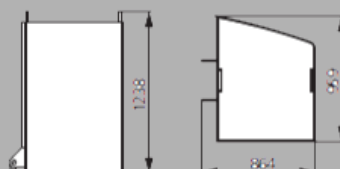
### Counterweight tray ×1

Length (L)	3.45m
Width (W)	1.05m
Height (H)	1.39m
Weight	9.8t



### Rear Counterweight 1 ×1

Length (L)	3.45m
Width (W)	1.05m
Height (H)	0.71m
Weight	8.4t



### Rear Counterweight ×1

Length (L)	0.86m
Width (W)	0.96m
Height (H)	1.24m
Weight	3.9t

### Load Chart of Boom (Level Ground) -- H 1/2

Rear Counterweight 26t, Carbody Counterweight 6t, Ground Level 0°

SCC800TB Crawler Crane

Unit: t

Boom length (m) \ Radius (m)	Radius (m)															Boom length (m) \ Radius (m)
	12.2	16.5	18.7	20.9	23.0	25.2	27.2	29.5	31.8	33.8	36.0	38.3	40.4	42.5	47.0	
3.0	80.0	65.0														3.0
3.5	75.0	63.0														3.5
4.0	68.0	61.5	30.0	44.0												4.0
4.5	65.0	60.0	30.0	43.0	30.0	28.0		28.0								4.5
5.0	58.0	55.5	30.0	42.5	30.0	27.0	30.0	27.0		26.0						5.0
5.5	54.0	50.0	30.0	39.6	30.0	26.0	30.0	26.0		25.0						5.5
6.0	50.3	47.0	29.0	39.3	29.0	25.0	30.0	25.0	20.0	24.0	20.0		20.0			6.0
6.5	46.0	43.0	29.0	35.4	29.0	24.5	29.0	24.5	19.5	23.0	19.5		19.0			6.5
7.0	40.3	40.0	29.0	34.8	29.0	24.0	28.0	24.0	19.0	22.5	19.0		18.0			7.0
7.5	37.2	37.0	28.0	31.0	28.5	23.1	26.8	23.5	18.0	21.0	18.5		17.5			7.5
8.0	32.4	32.1	28.0	30.5	28.0	22.8	26.5	23.0	17.0	21.4	18.0		17.2			8.0
9.0	26.8	26.6	27.0	26.3	27.0	21.5	24.3	22.0	16.0	20.5	16.8		16.0		11.7	9.0
10.0		22.4	23.0	22.1	23.3	20.2	21.7	21.0	15.0	19.6	15.6	11.0	15.3	11.0	11.5	10.0
11.0		19.2	19.9	18.5	19.5	19.5	19.3	19.9	14.0	16.2	14.5	10.5	13.6	10.8	10.7	11.0
12.0		16.7	17.2	15.6	16.8	17.8	17.5	17.1	13.2	15.0	13.6	10.2	12.5	10.5	10.6	12.0
14.0			12.8	11.6	12.8	13.6	13.3	13.1	11.6	12.5	12.0	9.6	11.7	10.2	10.2	14.0
16.0				8.8	9.8	10.8	10.2	10.4	10.5	10.6	10.9	8.8	10.0	9.8	9.7	16.0
18.0					7.8	8.8	8.0	8.3	9.0	8.4	8.9	8.0	8.9	8.9	8.1	18.0
20.0						7.4	6.4	6.9	7.5	6.9	7.3	7.3	7.3	7.5	7.3	20.0
22.0							5.2	5.6	6.2	5.7	6.1	6.4	6.1	6.4	6.2	22.0
24.0								4.6	5.1	4.6	5.1	5.6	5.0	5.4	5.4	24.0
26.0									4.4	3.8	4.3	4.7	4.1	4.6	4.6	26.0
28.0										3.1	3.6	4.0	3.4	3.9	3.9	28.0
30.0											3.0	3.5	2.8	3.3	3.4	30.0
32.0												3.0	2.3	2.9	2.8	32.0
34.0													1.8	2.3	2.4	34.0
36.0															1.8	36.0
Wire rope parts of line	11	10	10	8	8	6	6	6	5	5	5	4	4	3	3	Wire rope parts of line

SCC800TB Crawler Crane

### Load Chart of Boom (Level Ground)

Rear Counterweight 0t, Carbody Counterweight 6t, Ground Level 0°

Unit: t

Boom length (m) \ Radius (m)	Radius (m)															Boom length (m) \ Radius (m)
	12.2	16.5	18.7	20.9	23.0	25.2	27.2	29.5	31.8	33.8	36.0	38.3	40.4	42.5	47.0	
3	71.1	58.3														3
4	43.7	37.6	30	33.2												4
5	30.7	27	28.5	24.2	25.3	26.1	30									5
6	21.7	20.5	22.2	18.5	19.8	20.8	18	18.8								6
7	16	15.7	17.8	14.6	16	17.1	14.5	15.5	16.2	14.1						7
8	12.3	12	14	11.8	13.2	14.3	12	12.9	13.7	11.8	12.5					8
9	9.7	9.5	11.3	9.2	10.8	12.1	10	11	11.8	10	10.7		9.8			9
10		7.5	9.3	7.3	8.8	10.1	8.4	9.4	10.3	8.6	9.3	9.9	8.5	9		10
11		6	7.8	5.8	7.3	8.5	7	8	8.9	7.4	8.1	8.7	7.4	7.9	7.3	11
12		4.8	6.6	4.7	6.1	7.2	5.8	6.8	7.7	6.3	7.1	7.8	6.4	7	6.4	12
14			4.7	2.9	4.3	5.4	4	4.9	5.8	4.6	5.4	6	4.9	5.5	5	14
16				1.6	3	4.1	2.7	3.6	4.5	3.3	4	4.7	3.7	4.3	3.9	16
18					2	3.1	1.7	2.7	3.5	2.4	3.1	3.7	2.8	3.3	3	18
20							1	1.9	2.7	1.9	2.3	2.3	2	2.5	2.3	20
22								0.4	1.3	2.1	1	1.7	2.3	1.4	2	22
24									0.8	1.6	0.5	1.2	1.8	0.9	1.5	24
26										1.2	0.1	0.8	1.4	0.5	1	26
28												0.4	1	0.2	0.7	28
30													0.1	0.7	0.4	30
32														0.5	0.1	32
Wire rope parts of line	12	10	10	8	8	6	6	6	5	5	5	4	4	3	3	Wire rope parts of line

# PALFINGER SANY CRANES. SERVICES





**www.sanycranes.services**  
**sales@sanycranes.services**  
**+31 (0) 252 255 255**

## GEGEVENS

### 1 x Sany SCE 800TB Telescopic Crawler Crane

Merk	:	SANY	Carrier	:	SANY
Tonnage	:	80 Ton	Onderstel	:	Rupsen
Type	:	TCC	Hijshaak	:	3 (8 t / 15 t / 80 t)
Jaar	:	2020	Lieren	:	2
Hoofdmast	:	47 Meter	LMI	:	SANY
Jib	:	17,5 Meter	Origin	:	China
Ballast	:	26 ton	Transport maten	:	Zie brochure
Centraal ballast	:	6 ton	Handleidingen	:	Nederlands / Engels
Motor	:	Cummins (stage V)	Onderdelenboek	:	Engels
Cabine	:	Kantelcabine, Airco, Kachel			
Certificaten	:	CE, EN13000, TÜV			
Garantie	:	2 jaar op onderdelen en arbeid			
Kleuren	:	Zelf te kiezen af fabriek (max.3 kleuren)			

Components	Model	Brand
Engine	QSB6.7-C260 145kW	Cummins
Hoisting reducer	PWD2150/CF/35.4	Brevini
Hoisting motor	A6VM107EP2D/63W-VZB020PB	Rexroth
Main valve	M7-6271-30	Rexroth
Main pump	D1P-193-R	Sauer
Swing reducer+motor	GFB40T2B60-15+A2FE80/61W-VAL020F-SK	Rexroth
Travel reducer+motor	F100	O&K





## Sanycranes.Services

Rijksstraatweg 59  
2171 AK Sassenheim  
The Netherlands  
Phone: +31 252 255 255  
E-mail: sales@sanycranes.services

Due to updated technology, the technical parameters and configurations are subject to change without prior notice. The machine in the picture may include additional equipment. This album is for reference only.

All rights reserved for Palfinger Sany and sanycranes.services. Without the written permission of either Palfinger Sany or sanycranes.services, the contents or any part of this brochure shall not be copied or used for any purpose.

© Printed in October 2020 in the Netherlands

